





■ Features :

- Constant current mode power supply
- Universal AC input / Full range
- Epoxy encapsulated with IP67 level
- Withstand 300VAC surge input for 5 seconds
- Protections: Short circuit / Over current / Over voltage
- Fully isolated plastic case
- Cooling by free air convection
- Small and compact size
- UL1310 Class 2 power unit, pass LPS
- 100% full load burn-in test
- Low cost, high reliability
- Suitable for LED lighting and moving sign applications
- 2 years warranty

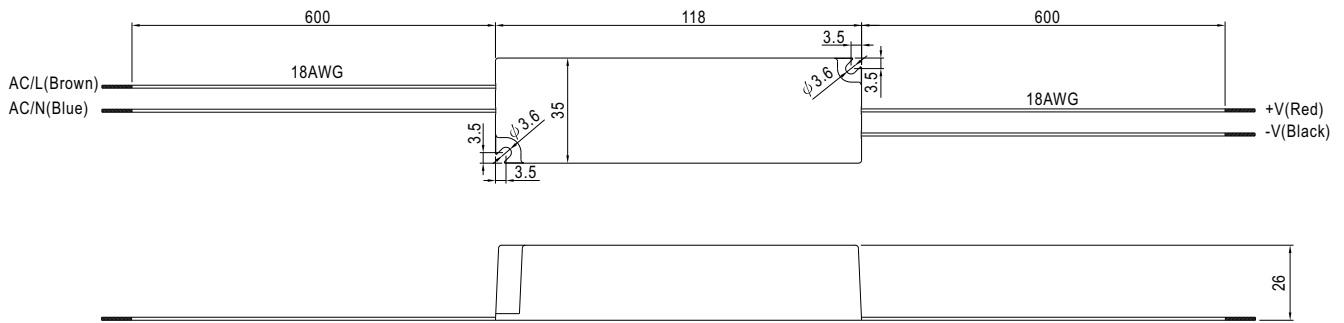
LPS IP67  (for 48V only)  US (except for 48V) 

SPECIFICATION

| MODEL | | LPC-20-350 | LPC-20-700 |
|--------------|---|---|---|
| OUTPUT | RATED CURRENT | 350mA | 700mA |
| | DC VOLTAGE RANGE | 3 ~ 48V | 3 ~ 30V |
| | RATED POWER | 16.8W | 21W |
| | RIPPLE & NOISE (max.) Note.2 | 200mVp-p | 200mVp-p |
| | VOLTAGE TOLERANCE Note.3 | ±5.0% | |
| | LINE REGULATION | ±1.0% | |
| | LOAD REGULATION | ±2.0% | |
| | SETUP, RISE TIME Note.6 | 500ms, 250ms / 230VAC | 500ms, 250ms / 115VAC at full load |
| | HOLD UP TIME (Typ.) | 50ms/230VAC | 24ms/115VAC at full load |
| INPUT | VOLTAGE RANGE | 90 ~ 264VAC | |
| | FREQUENCY RANGE | 47 ~ 63Hz | |
| | EFFICIENCY (Typ.) | 83% | |
| | AC CURRENT | 0.55A/115VAC 0.35A/230VAC | |
| | INRUSH CURRENT(max.) | COLD START 35A/115VAC 70A/230VAC | |
| PROTECTION | LEAKAGE CURRENT | 0.25mA / 240VAC | |
| | CURRENT LIMIT Note.4 | ±5% rated output current Protection type : Constant current limiting type | |
| | OVER VOLTAGE | 50.4 ~ 60V | 31.5 ~ 40.5V Protection type : Shut off o/p voltage, clamping by zener diode |
| ENVIRONMENT | WORKING TEMP. | -30~ +70°C (Refer to output load derating curve) | |
| | WORKING HUMIDITY | 20 ~ 90% RH non-condensing | |
| | STORAGE TEMP., HUMIDITY | -40 ~ +80°C, 10 ~ 95% RH | |
| | TEMP. COEFFICIENT | ±0.03%/°C (0 ~ 50°C) | |
| | VIBRATION | 10 ~ 500Hz, 2G 10min./1cycle, period for 60min. each along X, Y, Z axes | |
| SAFETY & EMC | SAFETY STANDARDS | UL1310 Class 2, CAN/CSA C22.2 No. 223-M91(except for 48V), IP67 approved, design refer to TUV EN60950-1, EN61347-2-13 | |
| | WITHSTAND VOLTAGE | I/P-O/P:3KVAC | |
| | ISOLATION RESISTANCE | I/P-O/P:>100M Ohms / 500VDC / 25°C / 70% RH | |
| | EMI CONDUCTION & RADIATION | Compliance to EN55022 (CISPR22) Class B | |
| | HARMONIC CURRENT | Compliance to EN61000-3-2,-3 | |
| | EMS IMMUNITY | Compliance to EN61000-4-2,3,4,5,6,8,11; ENV50204, EN55024, light industry level, criteria A | |
| OTHERS | MTBF | 786.5Khrs min. MIL-HDBK-217F (25°C) | |
| | DIMENSION | 118*35*26mm (L*W*H) | |
| | PACKING | 0.22Kg; 60pcs/14.2Kg/0.62CUFT | |
| NOTE | <p>1. All parameters NOT specially mentioned are measured at 230VAC input, rated load and 25°C of ambient temperature.</p> <p>2. Ripple & noise are measured at 20MHz of bandwidth by using a 12" twisted pair-wire terminated with a 0.1uf & 47uf parallel capacitor.</p> <p>3. Tolerance : includes set up tolerance, line regulation and load regulation.</p> <p>4. Derating may be needed under low input voltage. Please check the derating curve for more details.</p> <p>5. The power supply is considered a component which will be installed a final equipment. The final equipment must be re-confirmed that it still meets EMC directives.</p> <p>6. Length of set up time is measured at first cold start. Turning ON/OFF the power supply may lead to increase of the set up time.</p> | | |

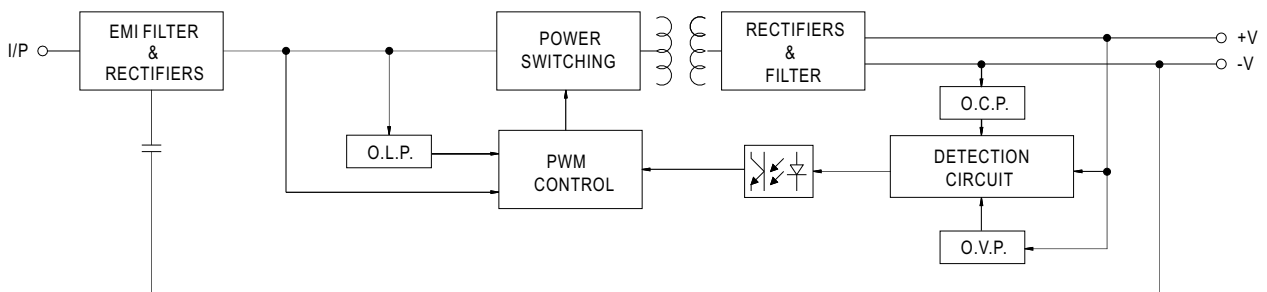
Mechanical Specification

Case No. 972A Unit:mm

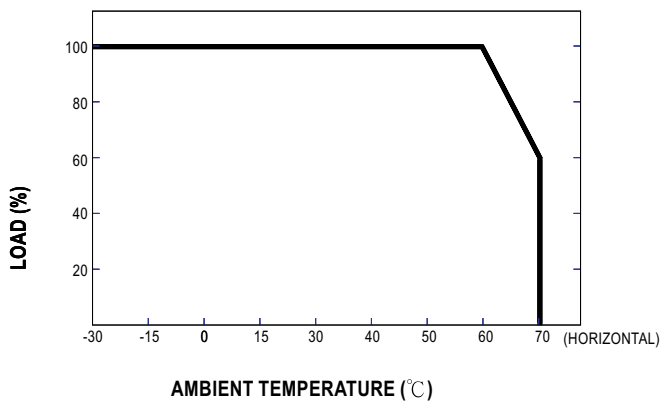


Block Diagram

fosc : 60KHz



Derating Curve



Static Characteristics

